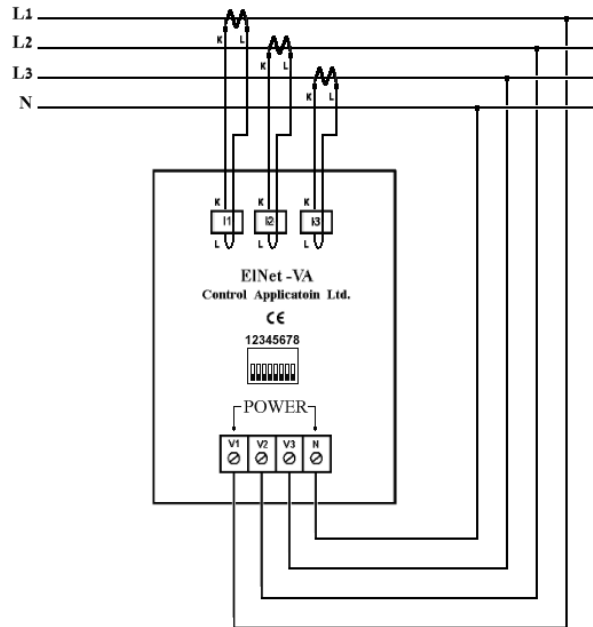


## ELNet VA: Wiring Scheme / CT Settings



CT	DIP Switch Setting				
	1	2	3	4	5
20/5A	0	1	0	0	0
30/5A	1	1	0	0	0
40/5A	0	0	1	0	0
50/5A	1	0	1	0	0
60/5A	0	1	1	0	0
70/5A	1	1	1	0	0
80/5A	0	0	0	1	0
90/5A	1	0	0	1	0
100/5A	0	1	0	1	0
110/5A	1	1	0	1	0

CT	DIP Switch Setting				
	1	2	3	4	5
120/5A	0	0	1	1	0
130/5A	1	0	1	1	0
140/5A	0	1	1	1	0
150/5A	1	1	1	1	0
200/5A	0	0	0	0	1
250/5A	1	0	0	0	1
300/5A	0	1	0	0	1
400/5A	1	1	0	0	1
500/5A	0	0	1	0	1
600/5A	1	0	1	0	1

CT	DIP Switch Setting				
	1	2	3	4	5
750/5A	0	1	1	0	1
800/5A	1	1	1	0	1
1000/5A	0	0	0	1	1
1200/5A	1	0	0	1	1
1500/5A	0	1	0	1	1
2000/5A	1	1	0	1	1
3000/5A	0	0	1	1	1
4000/5A	1	0	1	1	1
5000/5A	0	1	1	1	1
6000/5A	1	1	1	1	1

## Display Settings:

Display	DIP Switch		
	6	7	8
Current & Voltage (alternating)	Inactive	0	0
Current Only		1	0
Voltage Only		0	1